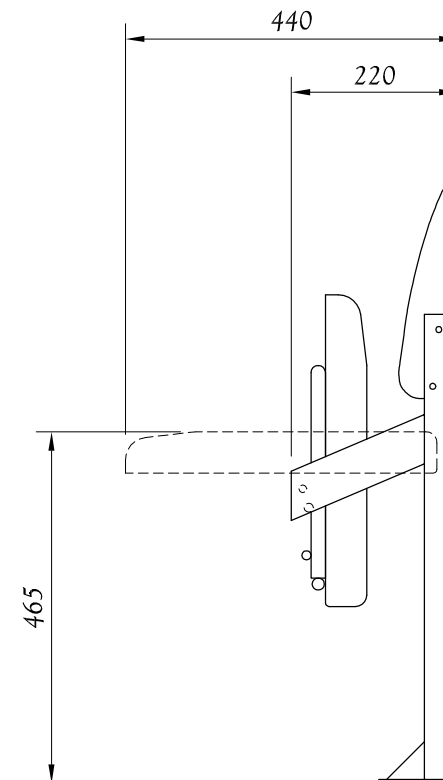
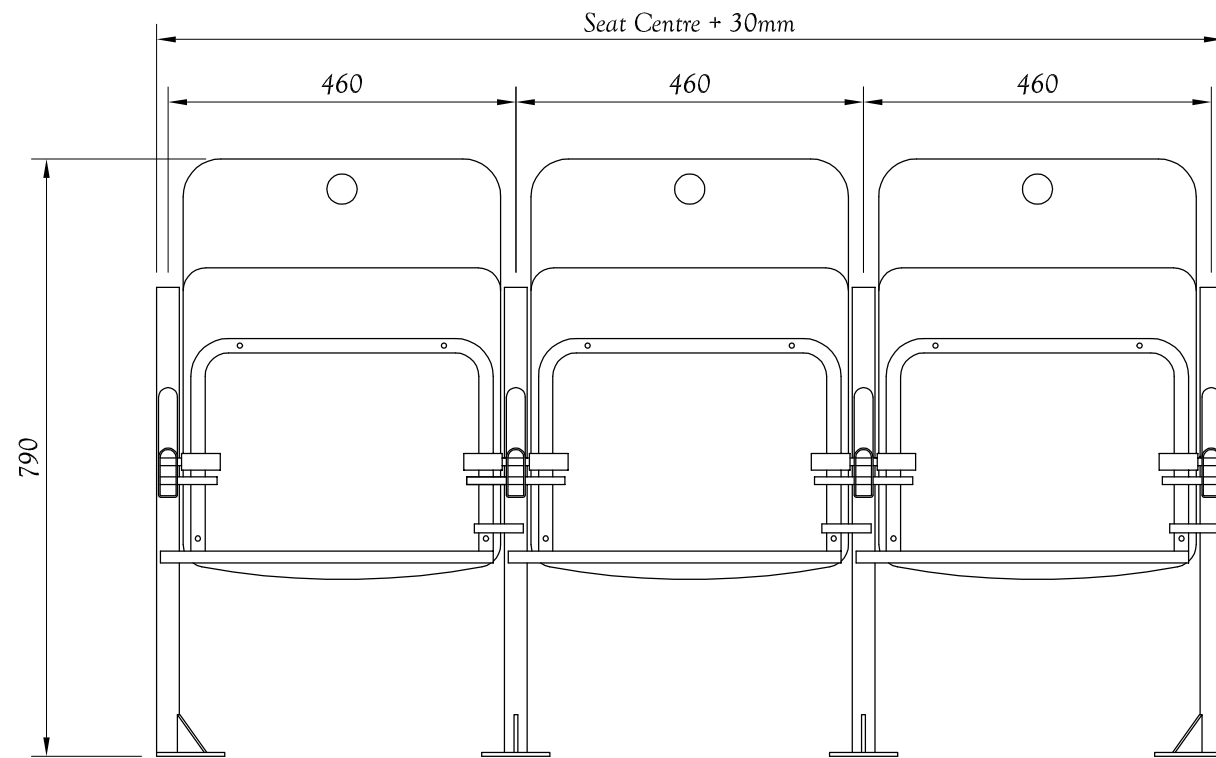


Colosseum



Rev	Date	Description	By	Grid
-----	------	-------------	----	------

REVISIONS

Restrictions of Use.
 Design rights remain the Intellectual property of Metalliform Holdings Ltd. The attached designs may be used for room layouts and reference purpose only. Permission given for internal use only. Permission is not granted for copying of the design or manufacturing of the design. Designs may not be passed to third parties.
 Any errors or omissions must be reported to the author as soon as any discrepancy is noted.
 All site dimensions to be checked
 Tolerance: 1mm per m unless stated.

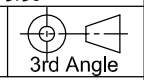


Metalliform Holdings Ltd.
 Chambers Road
 Hoyland
 Bransley
 S74 0EZ

DRAWN BY: A.P.Baggaley PAPER SIZE: **A3**

VERIFIED BY: -
 DATE: 05/05/14 SCALE: 1:10

PART NUMBER: -



CONTRACT:
 Stadium Seating
 Colosseum

DRAWING TITLE:
 Seat arrangement

DRAWING NUMBER: A0095-040-01 REV: 0

If in doubt ask.