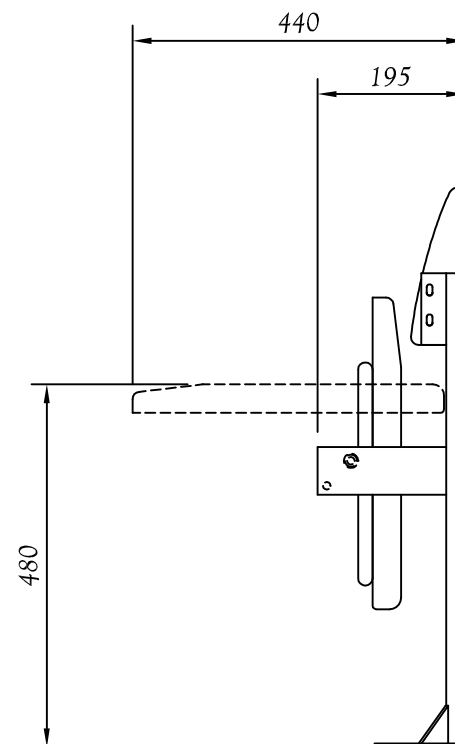
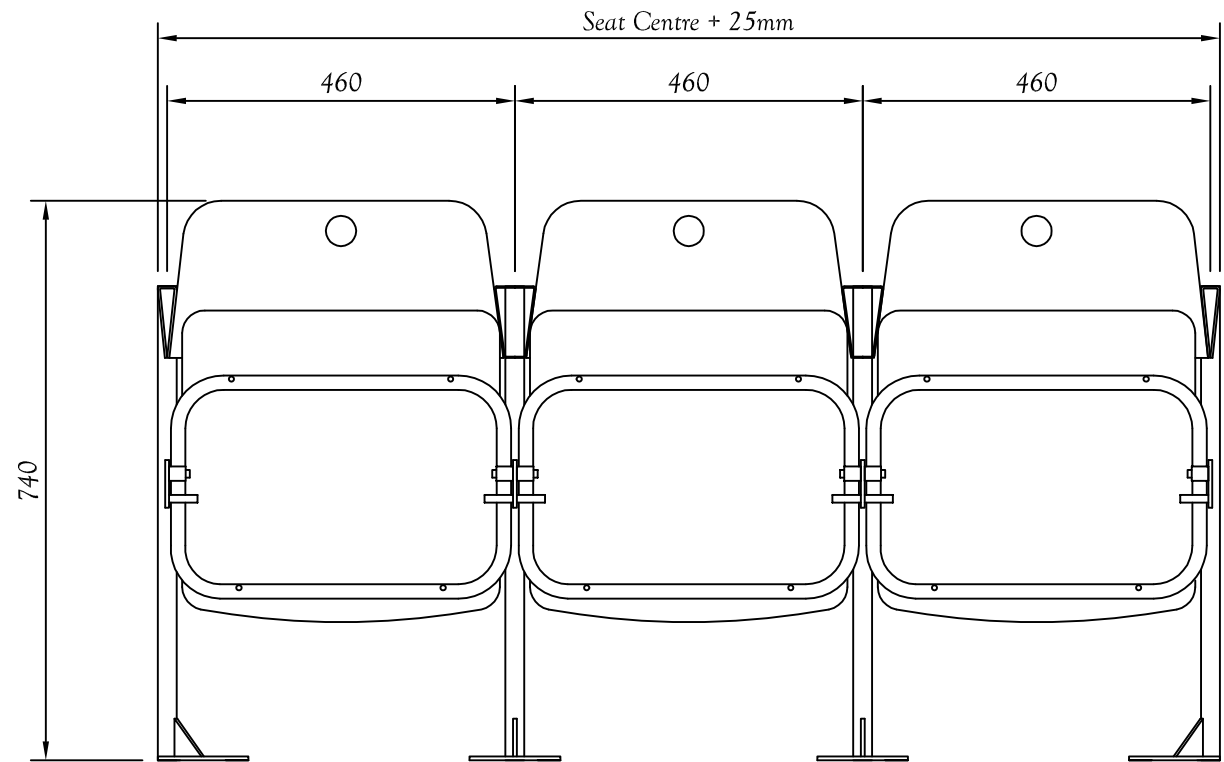


Restall



Rev	Date	Description	By	Grid
A	12/06/14	Amended as per comments.	APB	

REVISIONS

Restrictions of Use.
Design rights remain the Intellectual property of Metalliform Holdings Ltd. The attached designs may be used for room layouts and reference purpose only. Permission given for internal use only. Permission is not granted for copying of the design or manufacturing of the design. Designs may not be passed to third parties.
Any errors or omissions must be reported to the author as soon as any discrepancy is noted.
All site dimensions to be checked
Tolerance: 1mm per m unless stated.



Metalliform Holdings Ltd.
Chambers Road
Hoyland
Bransley
S74 0EZ

DRAWN BY: A.P.Baggaley PAPER SIZE: **A3**
 VERIFIED BY: -
 DATE: 05/05/14 SCALE: 1:10

PART NUMBER: - 3rd Angle

CONTRACT:
Stadium Seating
Restall
 DRAWING TITLE:
Seat arrangement

DRAWING NUMBER: A0095-042-01 REV: A

If in doubt ask.